

# BELL GAS TEST GAUGE



## TECHNICAL DATA

### Features:

- Gas test pressure gauge is used in pressurizing and monitoring a gas system for leakage
- Gauge is installed vertical or horizontal with manifold
- For pressure tests of residential and commercial piping system
- Easy to read white aluminum dial

### Specification:

**Dial Diameter:** 2"

**Range:** 0-30 PSI

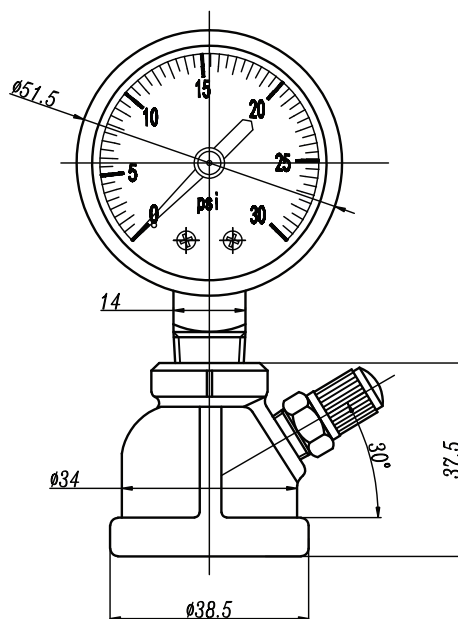
**Port Direction:** Bottom Mount

PART#  
TG-GB-30

DESCRIPTION  
3/4" FIP BELL GAS TEST GAUGE 30PSI

Country of origin: China

## ROUGH IN DR



ALL DIMENSIONS SHOWN ARE NOMINAL